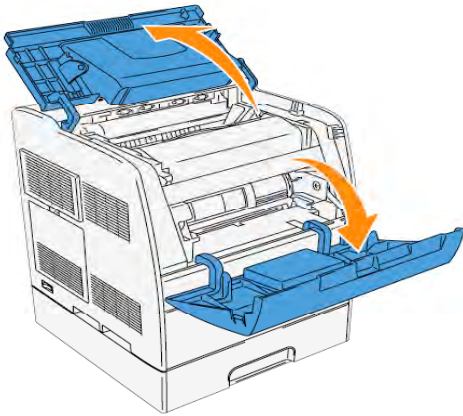
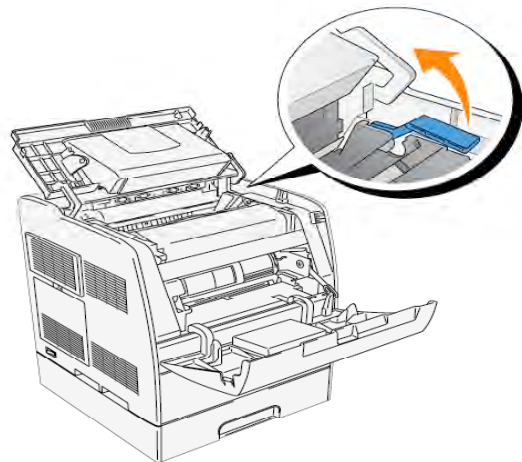


How to replace the Drum Chip in a Dell 3100CN printer

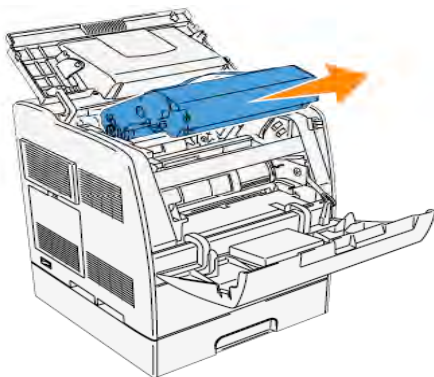
This guide also work for Epson CX11,CX1100 ...



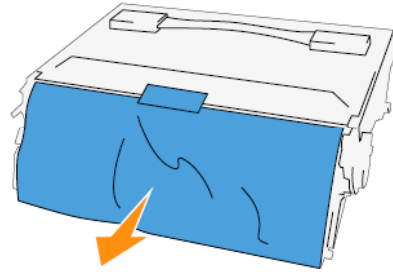
Step 1 - To open both covers on the printer, grab the notch in the front door and pull forward. Lift the top cover and push back.



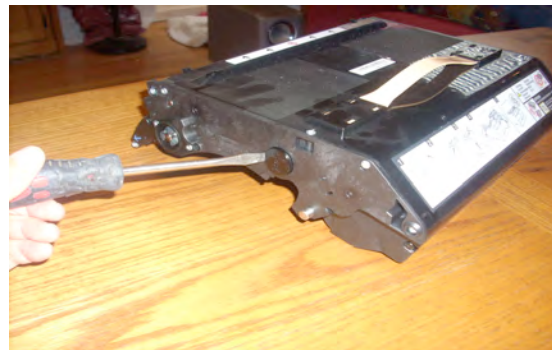
Step 2 - To remove the used drum cartridge, push up the lever on the right side of the printer.



Step 3 - Grab the drum cartridge by the handle, and pull it up and out placing it on your work area.



Warning: Do not touch the bottom of the drum unit



Step 4 - Locate chip on side of unit and using a small flat screwdriver gently pry out the small round plastic housing of the chip. **Note: Make sure the whole housing comes out. Often it comes apart and leaves the legs still inside the drum. You know this when the new chip will not fit in.**



Step 5 - Gently place new chip into photoconductor unit. Note: pay attention to location of chip legs and gently push into place.

Final Step - Reinstall the Drum unit in reverse order from above. You are now ready to print again and your photoconductor will last another cycles