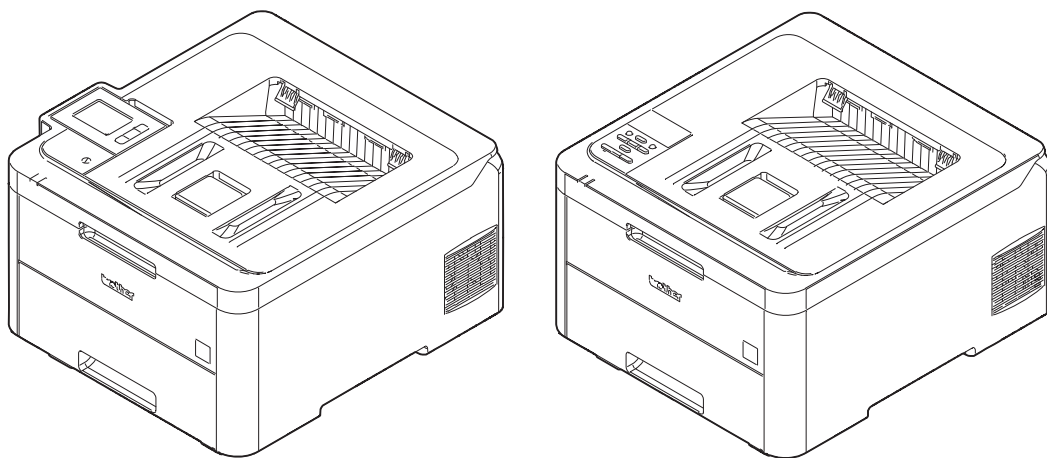




Brother Laser Printer PARTS REFERENCE LIST

MODEL

**HL-3160CDW/3190CDW/L3210CW
HL-L3230CDN/L3230CDW/L3270CDW**



Read this list thoroughly before maintenance work.
Keep this list in a convenient place for quick and easy reference at all times.

March 2018
PL-PRN173
84E7*

NOTE FOR USING THIS PARTS REFERENCE LIST

1. In the case of ordering parts, it is necessary to mention the following items:

- (1) Code
- (2) Q'ty
- (3) Description <Example>

	(1) CODE	(2) Q'TY	(3) DESCRIPTION	MODEL	SPEC	REMARKS

2. Design-changed parts:

If any of the parts code is changed in this Parts List, one of the following symbols is indicated in the REMARKS column.

- CHG (chg): The part code is changed for a new one in this Parts List.
 - ADD (add): The part code is newly added in this Parts List.
 - DEL (del) : The part code is deleted in this Parts List.
- Symbol in capital letters indicates the latest parts change information in the page.

3. Parts change will be informed by the Parts change information.

4. Parts are subject to change in design without prior notice.

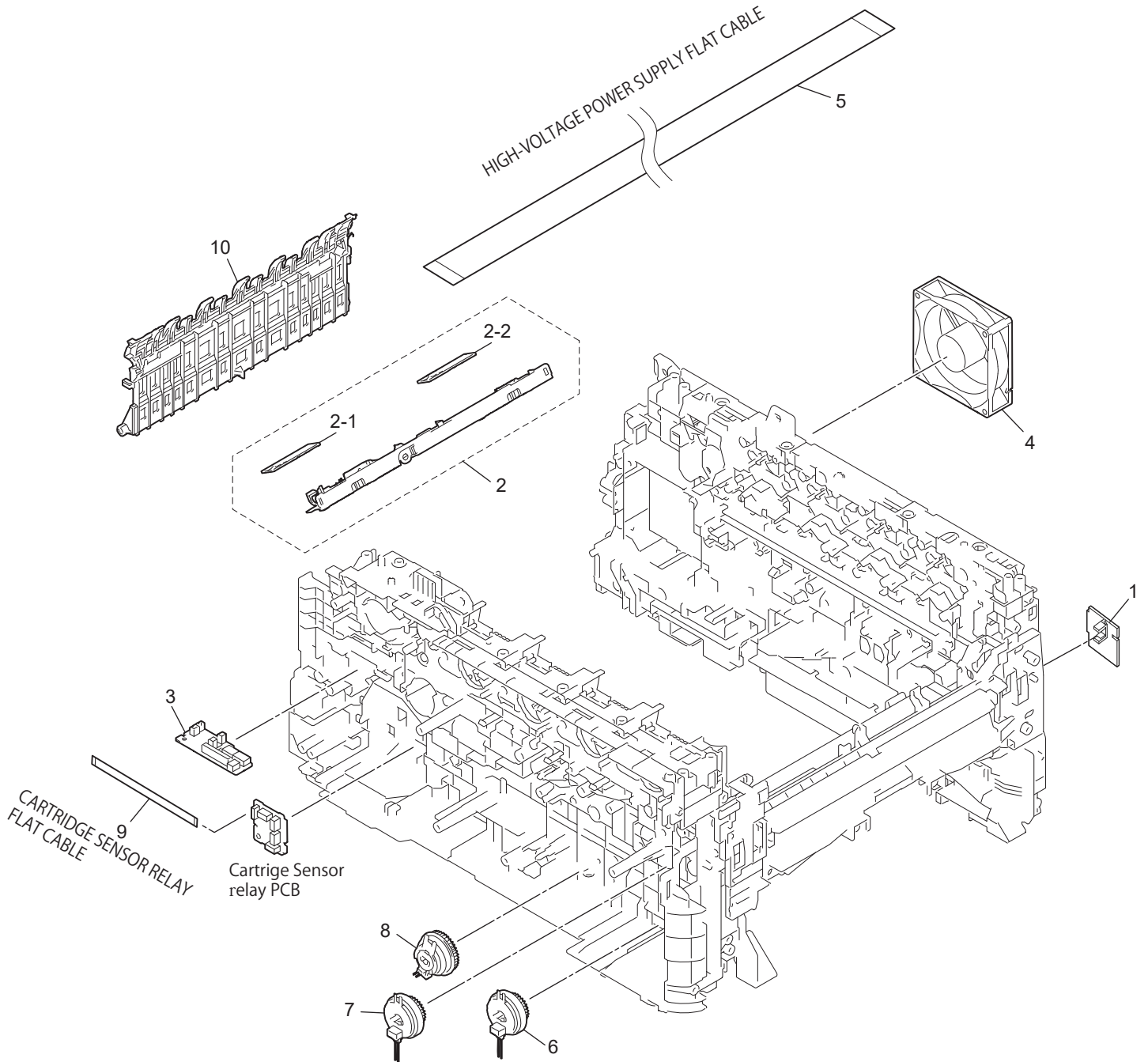
COUNTRIES & AREAS

ARG ---- ARGENTINA	ITA/IBE ---- ITALY/IBERIA (SPAIN & PORTUGAL)
ARL ---- AUSTRALIA	KOR ---- KOREA
BRA ---- BRAZIL	NZ ---- NEW ZEALAND
CAN ---- CANADA	PHL ---- PHILIPPINES
CEE ---- CEE- GENERAL	PND ---- PAN-NORDIC
CHL ---- CHILE	(NORWAY/FINLAND/DENMARK/SWEDEN)
CHN ---- CHINA	RUS ---- RUSSIA
FRA/BEL/NLD ----	SGP ---- SINGAPORE
FRANCE/BELGIUM/NETHERLANDS	SWI ---- SWITZERLAND
GER ---- GERMANY	TWN ---- TAIWAN
GULF ---- GULF	UK ---- UNITED KINGDOM
IND ---- INDIA	USA ---- U.S.A.

CONTENTS

1.	<u>FRAME</u>	1
2.	<u>PAPER FEED DRIVE</u>	3
3.	<u>PROCESS DRIVE</u>	5
4.	<u>LED TOP COVER</u>	7
5.	<u>PAPER FEEDER</u>	9
6.	<u>DX</u>	11
7.	<u>PAPER CASSETTE</u>	13
8.	<u>FUSER UNIT</u>	15
9.	<u>PAPER EJECT</u>	17
10.	<u>COVERS & LABEL</u>	19
11.	<u>PCB</u>	21
12.	<u>OPTION</u>	23
13.	<u>PACKAGING</u>	25

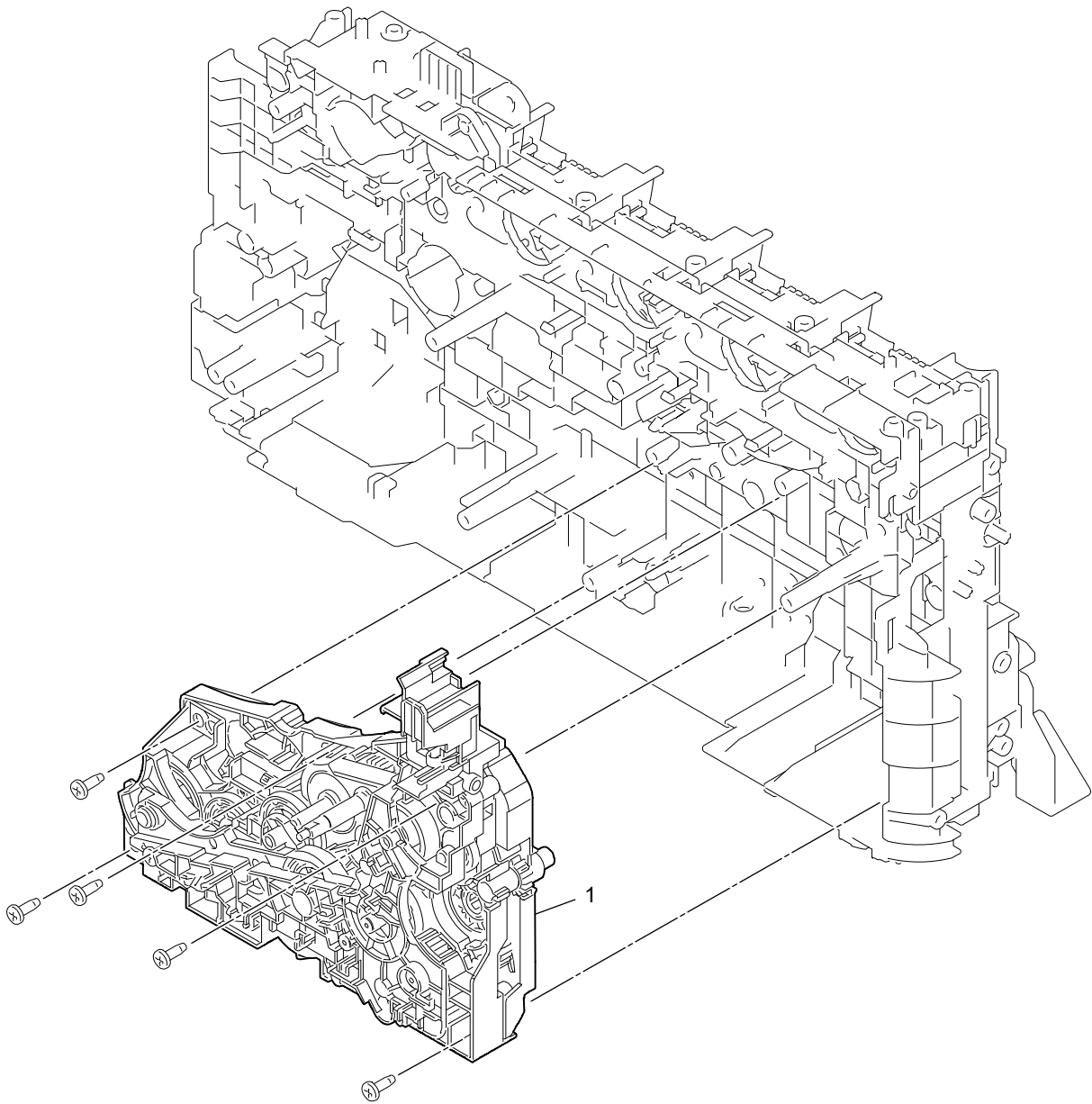
1. FRAME



1. FRAME

REF NO.	CODE	Q'TY	DESCRIPTION	MODEL	SPEC	REMARKS
1	D00WU001	1	DEVELOP RELEASE SENSOR PCB			
2	D00N5A001	1	REGISTRATION MARK SENSOR ASSY			
2-1	D00M1U001	1	REGISTRATION MARK SENSOR L PCB			
2-2	D00M1T001	1	REGISTRATION MARK SENSOR R PCB			
3	D00L36001	1	EJECT SENSOR PCB			
4	D00KBX001	1	FAN			
5	D00JJD001	1	HIGH-VOLTAGE POWER SUPPLY FLAT CABLE			
6	LY6134001	1	T1 PICK-UP CLUTCH			
7	LY6136001	1	REGISTRATION CLUTCH			
8	LR2302001	1	DEVELOP RELEASE CLUTCH			
9	D00HNC001	1	CARTRIDGE SENSOR RELAY FLAT CABLE	HL-L3210CW	FOR USA/CAN/GER/UK/SWI/ITA/IBERIA/NZ/FRA/BEL/NLD/PND/CEE	
9	D00HNC001	1	CARTRIDGE SENSOR RELAY FLAT CABLE	HL-L3230CDW	FOR GER/UK/SWI/ITA/IBERIA/FRA/BEL/NLD/PND/USA/ARL	
9	D00HNC001	1	CARTRIDGE SENSOR RELAY FLAT CABLE	HL-L3270CDW	FOR USA/CAN/GER/UK/ARL/SWI/ITA/IBERIA/FRA/BEL/NLD/PND/CEE	
10	D011XL001	1	REAR FLAPPER SUB ASSY SP	HL-3160CDW		
10	D011XL001	1	REAR FLAPPER SUB ASSY SP	HL-3190CDW		
10	D011XL001	1	REAR FLAPPER SUB ASSY SP	HL-L3230CDN		
10	D011XL001	1	REAR FLAPPER SUB ASSY SP	HL-L3230CDW		
10	D011XL001	1	REAR FLAPPER SUB ASSY SP	HL-L3270CDW		

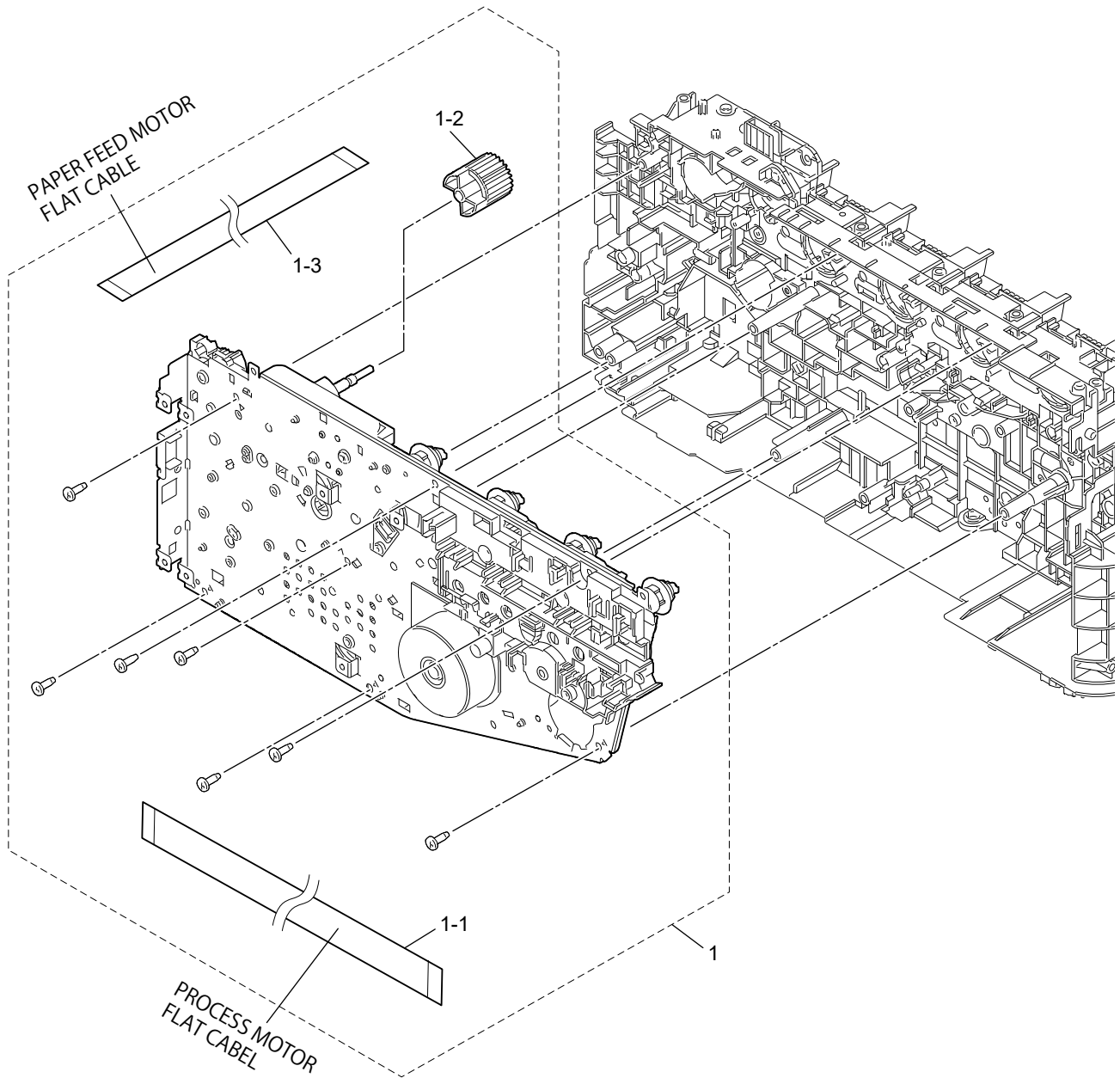
2. PAPER FEED DRIVE



2. PAPER FEED DRIVE

REF NO.	CODE	Q'TY	DESCRIPTION	MODEL	SPEC	REMARKS
1	D011XN001	1	PAPER FEED DRIVE UNIT DX SP	HL-3160CDW		
1	D011XN001	1	PAPER FEED DRIVE UNIT DX SP	HL-3190CDW		
1	D011XM001	1	PAPER FEED DRIVE UNIT SX SP	HL-L3210CW		
1	D011XN001	1	PAPER FEED DRIVE UNIT DX SP	HL-L3230CDN		
1	D011XN001	1	PAPER FEED DRIVE UNIT DX SP	HL-L3230CDW		
1	D011XN001	1	PAPER FEED DRIVE UNIT DX SP	HL-L3270CDW		

3. PROCESS DRIVE



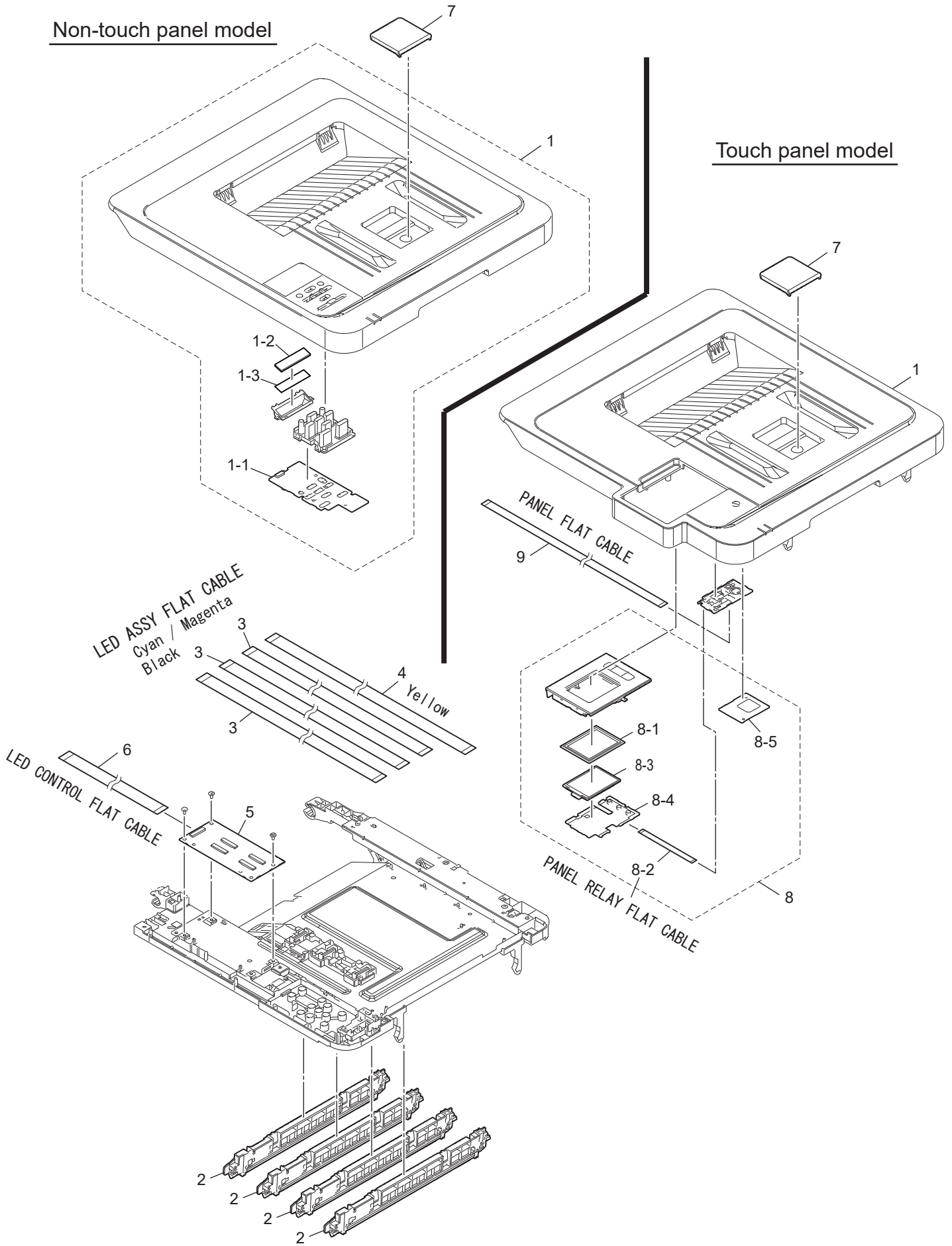
3. PROCESS DRIVE

REF NO.	CODE	Q'TY	DESCRIPTION	MODEL	SPEC	REMARKS
1	D011XS001	1	PROCESS DRIVE UNIT SP			
1-1	D00HYF001	1	PROCESS MOTOR FLAT CABLE			
1-2	LY0233001	1	FUSER DRIVE GEAR Z25			
1-3	D00HYG001	1	PAPER FEED MOTOR FLAT CABLE			

4. LED TOP COVER

Non-touch panel model

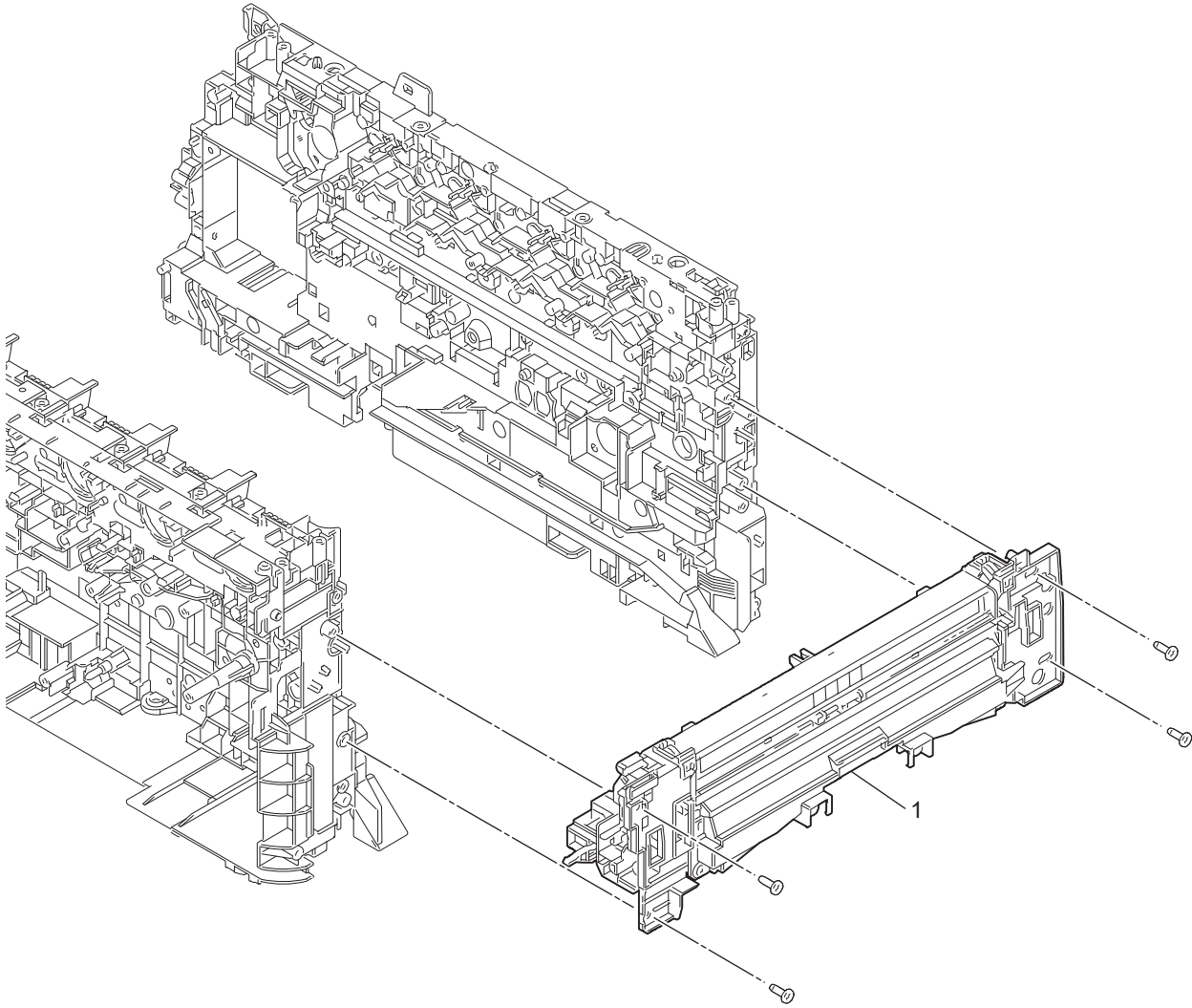
Touch panel model



4. LED TOP COVER

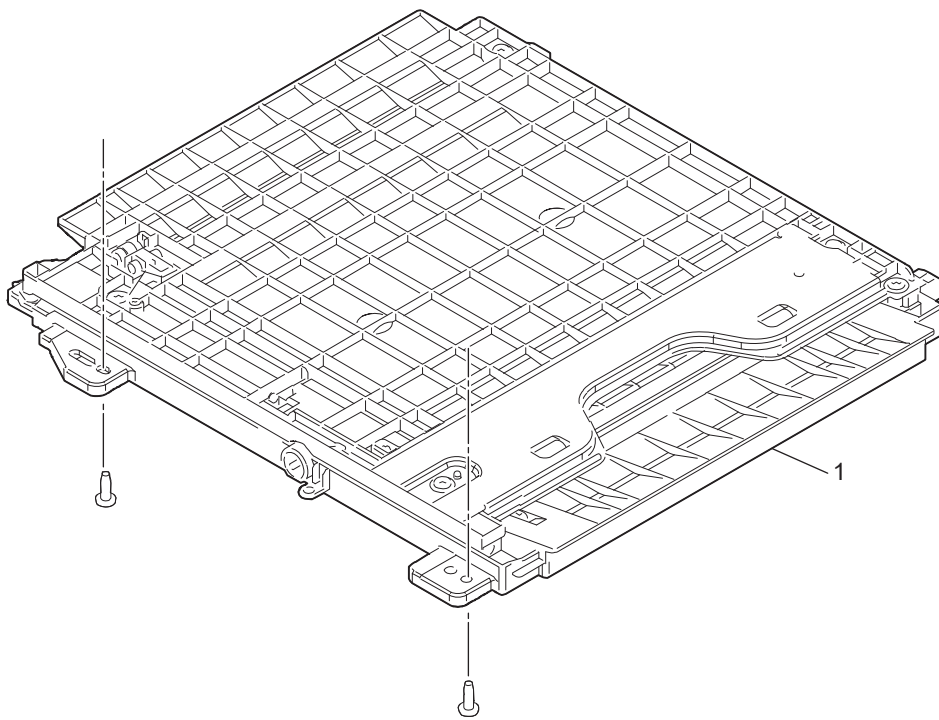
REF No.	CODE	Q'TY	DESCRIPTION	MODEL	SPEC	REMARKS
1	D0115P001	1	TOP COVER ASSY SP	HL-3160CDW		
1	D0115S001	1	TOP COVER ASSY SP	HL-3190CDW		
1	D01161001	1	TOP COVER ASSY SP	HL-L3210CW		
1	D0115M001	1	TOP COVER ASSY SP	HL-L3230CDN		
1	D01162001	1	TOP COVER ASSY SP	HL-L3230CDW		
1	D0115S001	1	TOP COVER ASSY SP	HL-L3270CDW		
1-1	D00EBL001	1	PANEL PCB	HL-3160CDW		
1-1	D00EBL001	1	PANEL PCB	HL-L3210CW		
1-1	D00EBL001	1	PANEL PCB	HL-L3230CDN		
1-1	D00EBL001	1	PANEL PCB	HL-L3230CDW		
1-2	A51299001	1	LCD	HL-3160CDW		
1-2	A51299001	1	LCD	HL-L3210CW		
1-2	A51299001	1	LCD	HL-L3230CDN		
1-2	A51299001	1	LCD	HL-L3230CDW		
1-3	D007UW001	1	LCD SHEET	HL-L3210CW		
1-3	D00TUK001	1	LCD SHEET	HL-L3230CDW		
2	D011XU001	4	LED ASSY SP			
3	D009KY001	3	LED ASSY FLAT CABLE BK/C/M			
4	D00FVE001	1	LED ASSY FLAT CABLE Y			
5	D00CC8001	1	LED CONTROL PCB			
6	D009LR001	1	LED CONTROL FLAT CABLE			
7	D009LS001	1	PAPER STOPPER 001	HL-3160CDW		
7	D009LS001	1	PAPER STOPPER 001	HL-3190CDW		
7	D009LS002	1	PAPER STOPPER 002	HL-L3210CW		
7	D009LS001	1	PAPER STOPPER 001	HL-L3230CDN		
7	D009LS001	1	PAPER STOPPER 001	HL-L3230CDW		
7	D009LS001	1	PAPER STOPPER 001	HL-L3270CDW		
8	D00C8D001	1	LCD PANEL ASSY	HL-L3270CDW		
8-1	D003DD001	1	TOUCH PANEL	HL-3190CDW		
8-1	D003DD001	1	TOUCH PANEL	HL-L3270CDW		
8-2	D00J4D001	1	PANEL RELAY FLAT CABLE	HL-3190CDW		
8-2	D00J4D001	1	PANEL RELAY FLAT CABLE	HL-L3270CDW		
8-3	D00HS0001	1	LCD	HL-3190CDW		
8-3	D00HS0001	1	LCD	HL-L3270CDW		
8-4	D00KJ1001	1	PANEL PCB	HL-3190CDW		
8-4	D00KJ1001	1	PANEL PCB	HL-L3270CDW		
8-5	D00UR6001	1	NFC PCB	HL-3190CDW		
8-5	D00UR6001	1	NFC PCB	HL-L3270CDW		
9	D00C8G001	1	PANEL FLAT CABLE	HL-3190CDW		
9	D00C8G001	1	PANEL FLAT CABLE	HL-L3270CDW		

5. PAPER FEEDER



5. PAPER FEEDER

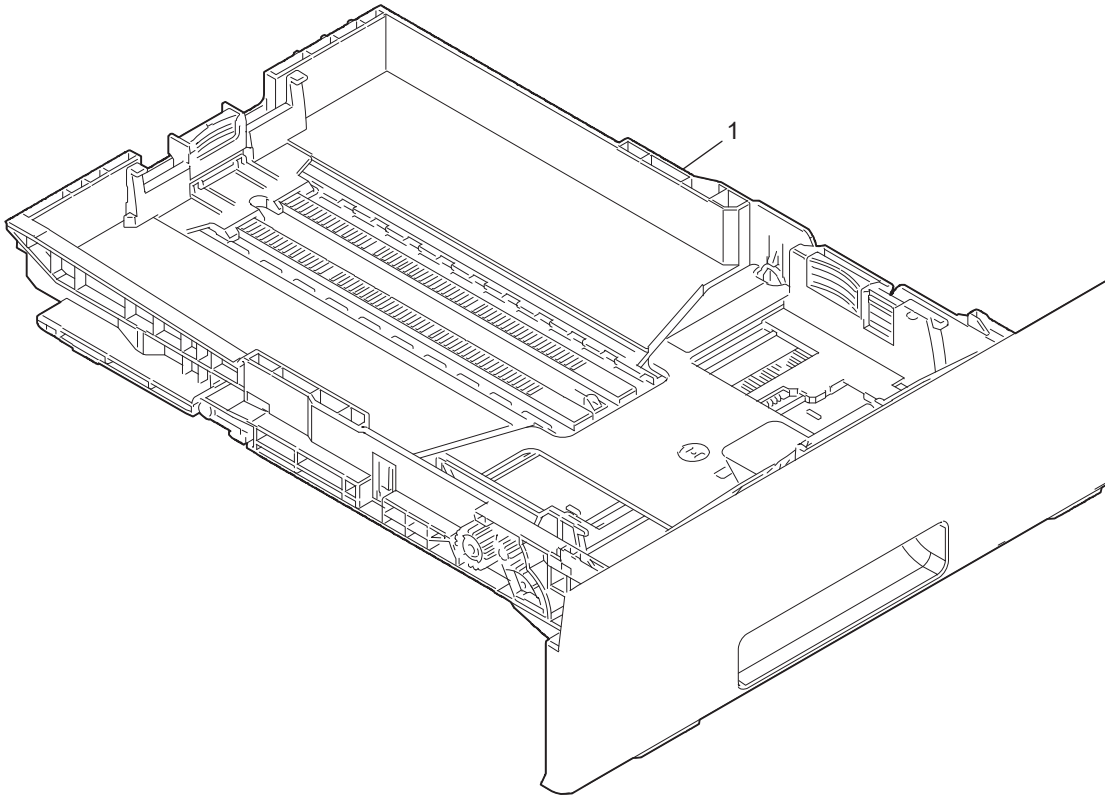
REF NO.	CODE	Q'TY	DESCRIPTION	MODEL	SPEC	REMARKS
1	D007AF001	1	PAPER FEED UNIT			



6. DX

REF NO.	CODE	Q'TY	DESCRIPTION	MODEL	SPEC	REMARKS
1	D00DXT001	1	DUPLEX TRAY A4	HL-3160CDW		
1	D00DXT001	1	DUPLEX TRAY A4	HL-3190CDW		
1	D007FE001	1	DUPLEX TRAY LTR	HL-L3230CDN	FOR ARG	
1	D00DXT001	1	DUPLEX TRAY A4	HL-L3230CDN	FOR SGP	
1	D00DXT001	1	DUPLEX TRAY A4	HL-L3230CDW	FOR GER/UK/SWI/ITA/IBERIA/ FRA/BEL/NLD/PND/RUS/ARL	
1	D007FE001	1	DUPLEX TRAY LTR	HL-L3230CDW	FOR USA	
1	D007FE001	1	DUPLEX TRAY LTR	HL-L3270CDW	FOR USA/CAN/PHL/CHL	
1	D00DXT001	1	DUPLEX TRAY A4	HL-L3270CDW	FOR GER/UK/ARL/SWI/ITA/ IBERIA/FRA/BEL/NLD/PND/CEE/ TWN/GULF/SGP/IND	

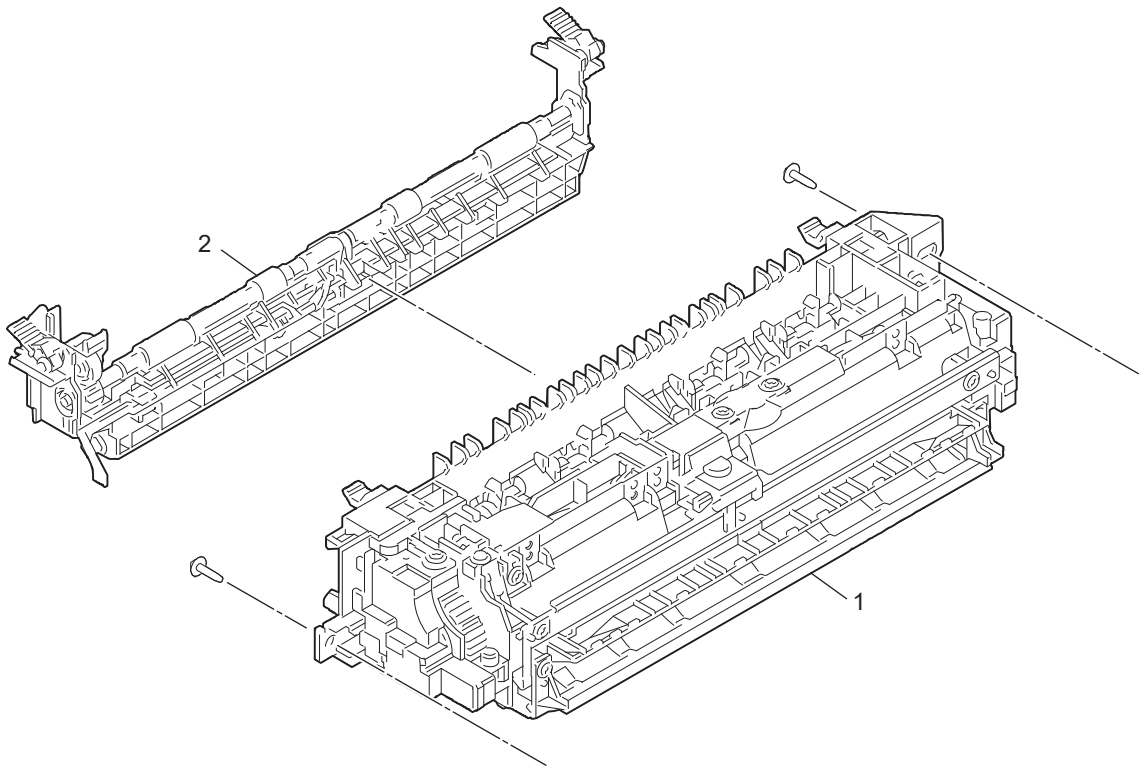
7. PAPER CASSETTE



7. PAPER CASSETTE

REF NO.	CODE	Q'TY	DESCRIPTION	MODEL	SPEC	REMARKS
1	D007DK001	1	PAPER TRAY DX	HL-3160CDW		
1	D007DK001	1	PAPER TRAY DX	HL-3190CDW		
1	D007EJ001	1	PAPER TRAY SX	HL-L3210CW		
1	D007DK001	1	PAPER TRAY DX	HL-L3230CDN		
1	D007DK001	1	PAPER TRAY DX	HL-L3230CDW		
1	D007DK001	1	PAPER TRAY DX	HL-L3270CDW		

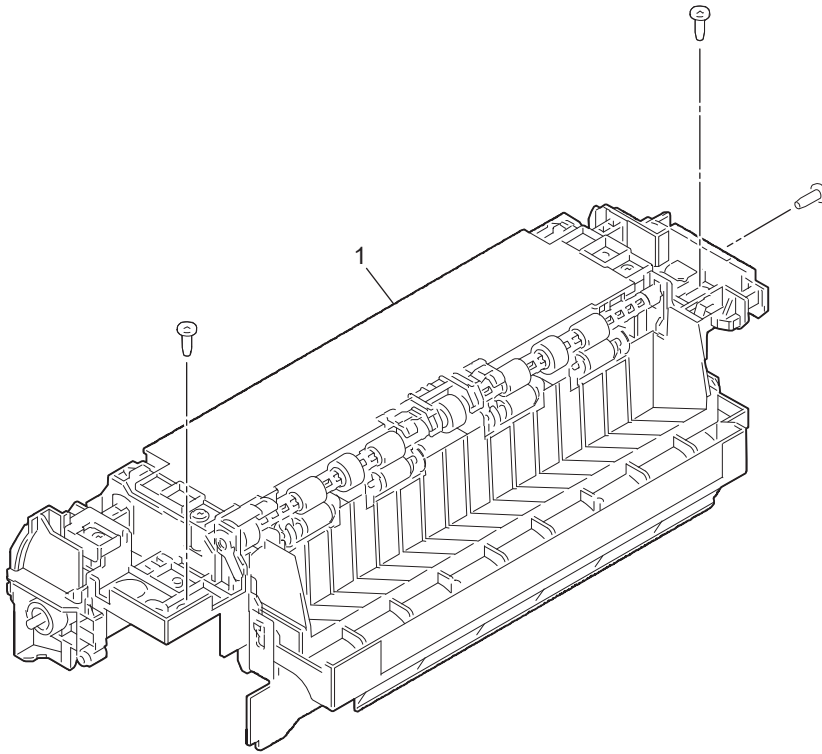
8. FUSER UNIT



8. FUSER UNIT

REF NO.	CODE	Q'TY	DESCRIPTION	MODEL	SPEC	REMARKS
1	D010R4001	1	FUSER UNIT B 230T (SP)	HL-3160CDW		
1	D010R4001	1	FUSER UNIT B 230T (SP)	HL-3190CDW		
1	D00N0B001	1	FUSER UNIT 115S (SP)	HL-L3210CW	FOR USA/CAN	
1	D00N0A001	1	FUSER UNIT 230S (SP)	HL-L3210CW	FOR GER/UK/SWI/ITA/IBERIA/ NZ/FRA/BEL/NLD/PND/CEE	
1	D010R1001	1	FUSER UNIT B 230S (SP)	HL-L3210CW	FOR GULF/KOR	
1	D010R2001	1	FUSER UNIT B 127S (SP)	HL-L3210CW	FOR BRA	
1	D010R1001	1	FUSER UNIT B 230S (SP)	HL-L3230CDN		
1	D00N0A001	1	FUSER UNIT 230S (SP)	HL-L3230CDW	FOR GER/UK/SWI/ITA/IBERIA/ FRA/BEL/NLD/PND/RUS	
1	D00N0D001	1	FUSER UNIT 115T (SP)	HL-L3230CDW	FOR USA	
1	D00N0C001	1	FUSER UNIT 230T (SP)	HL-L3230CDW	FOR ARL	
1	D00N0D001	1	FUSER UNIT 115T (SP)	HL-L3270CDW	FOR USA/CAN	
1	D00N0C001	1	FUSER UNIT 230T (SP)	HL-L3270CDW	FOR GER/UK/ARL/SWI/ITA/ IBERIA/FRA/BEL/NLD/PND/CEE	
1	D010R4001	1	FUSER UNIT B 230T (SP)	HL-L3270CDW	FOR PHL/CHL/GULF/SGP/IND	
1	D010R3001	1	FUSER UNIT B 115T (SP)	HL-L3270CDW	FOR TWN	
2	D007H5001	1	FUSER COVER ASSY			

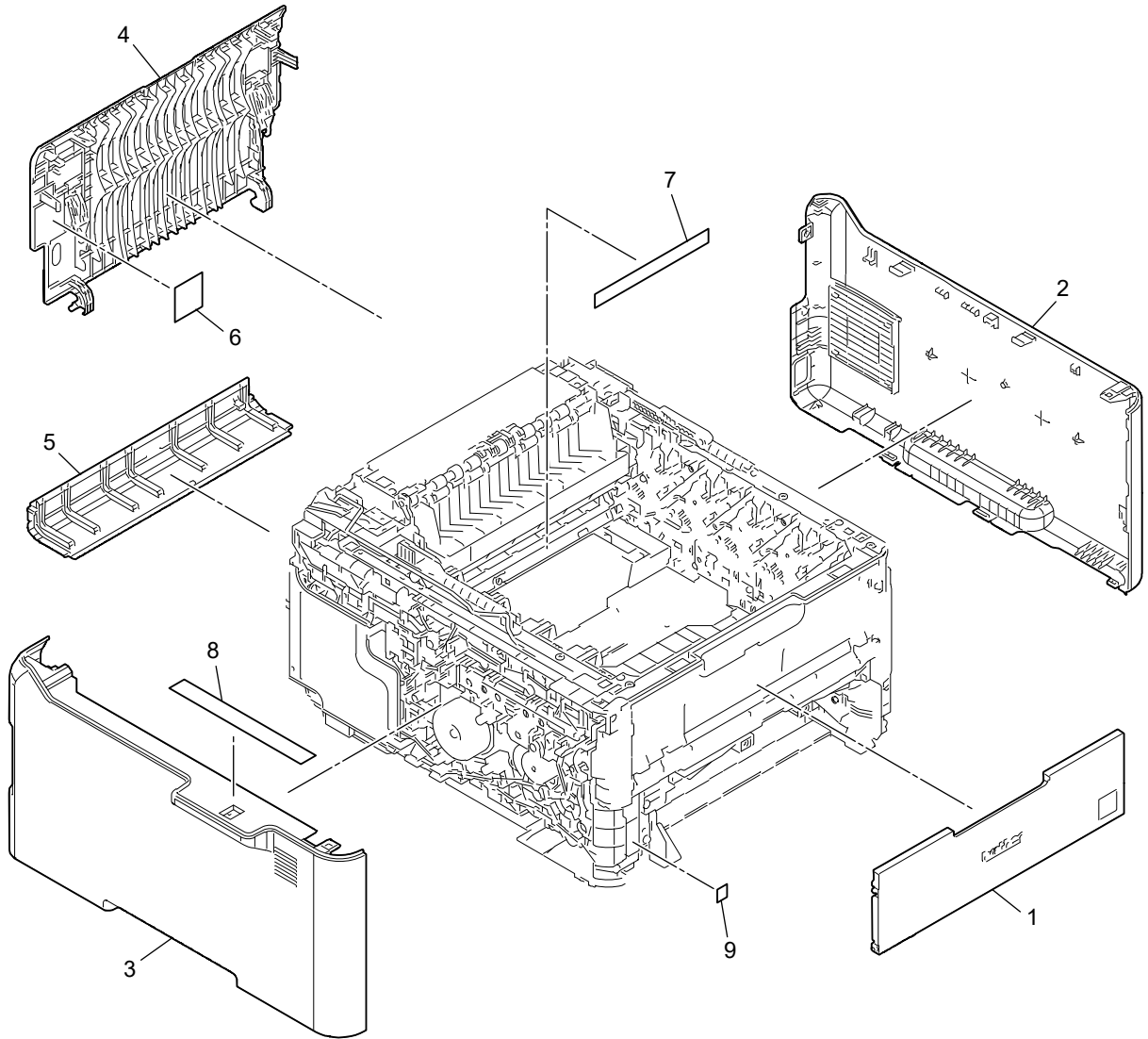
9. PAPER EJECT



9. PAPER EJECT

REF NO.	CODE	Q'TY	DESCRIPTION	MODEL	SPEC	REMARKS
1	D0078W001	1	PAPER EJECT ASSY DX	HL-3160CDW		
1	D0078W001	1	PAPER EJECT ASSY DX	HL-3190CDW		
1	D0079X002	1	PAPER EJECT ASSY SX	HL-L3210CW		
1	D0078W001	1	PAPER EJECT ASSY DX	HL-L3230CDN		
1	D0078W001	1	PAPER EJECT ASSY DX	HL-L3230CDW		
1	D0078W001	1	PAPER EJECT ASSY DX	HL-L3270CDW		

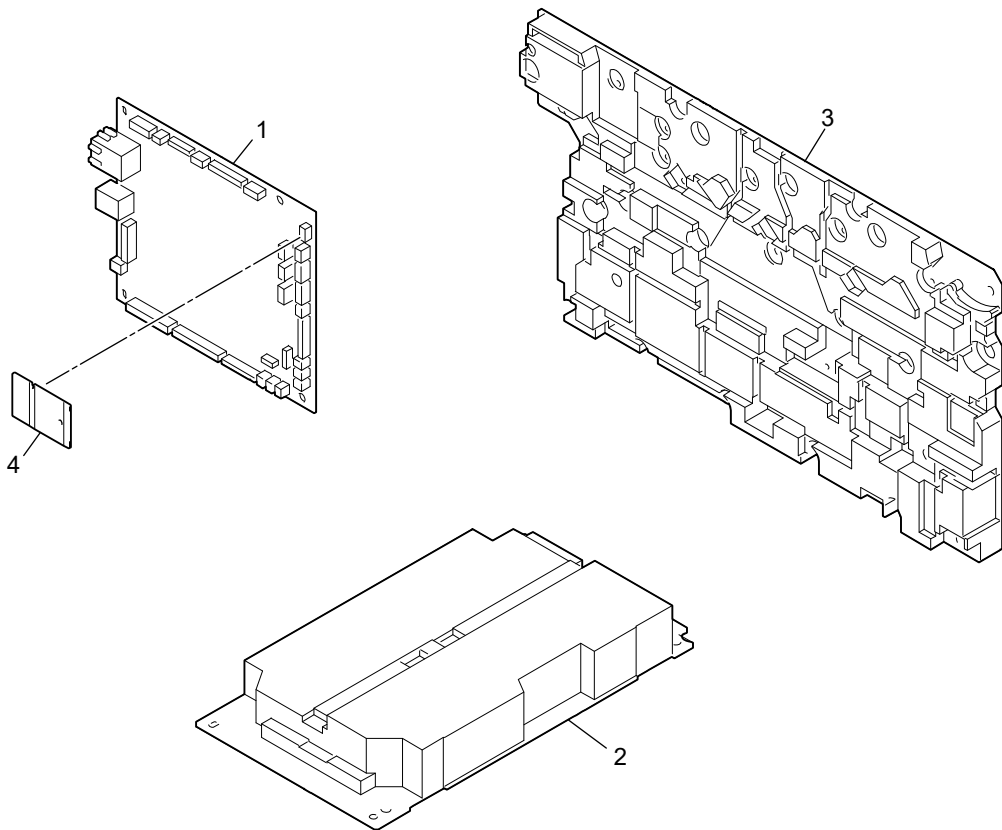
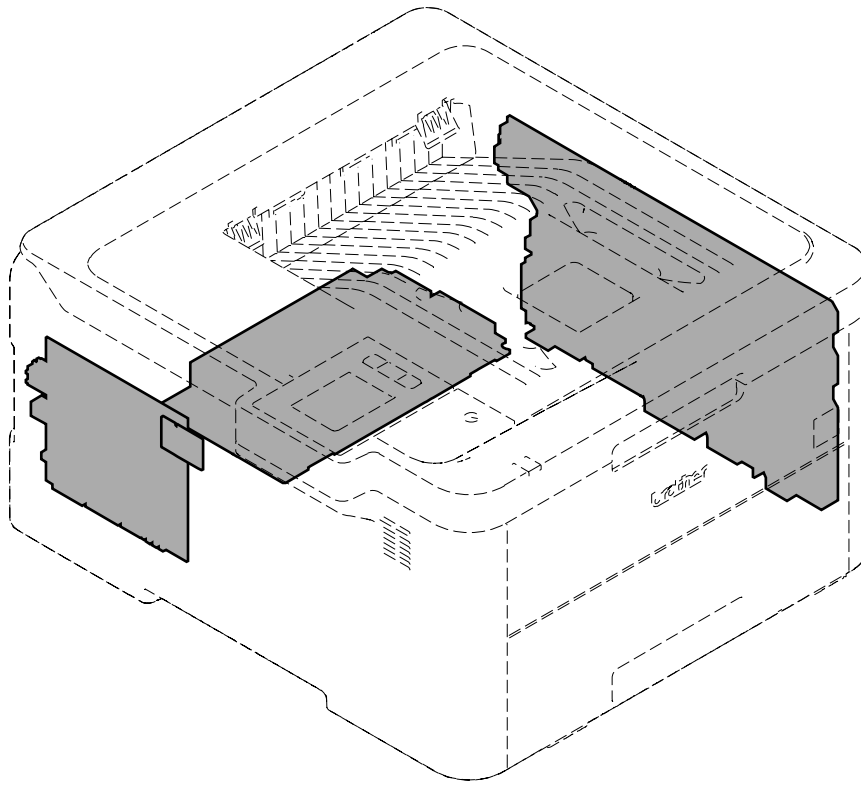
10. COVERS & LABELS



10. COVERS & LABELS

REF No.	CODE	Q'TY	DESCRIPTION	MODEL	SPEC	REMARKS
1	D00C2K001	1	MANUAL FEED COVER ASSY			
2	D00DST001	1	SIDE COVER R			
3	D00PVE001	1	SIDE COVER L	HL-3160CDW		
3	D00DSW001	1	SIDE COVER L	HL-3190CDW		
3	D00DSU001	1	SIDE COVER L	HL-L3210CW		
3	D00PVE001	1	SIDE COVER L	HL-L3230CDN		
3	D00PVE001	1	SIDE COVER L	HL-L3230CDW		
3	D00DSW001	1	SIDE COVER L	HL-L3270CDW		
4	D009S9001	1	BACK COVER DX	HL-3160CDW		
4	D009S9001	1	BACK COVER DX	HL-3190CDW		
4	D009SJ001	1	BACK COVER SX	HL-L3210CW		
4	D009S9001	1	BACK COVER DX	HL-L3230CDN		
4	D009S9001	1	BACK COVER DX	HL-L3230CDW		
4	D009S9001	1	BACK COVER DX	HL-L3270CDW		
5	D00DSG001	1	BACK COVER LOWER			
6	D00TWM001	1	LABEL H/SP CAUTION	HL-3160CDW		
6	D00TWM001	1	LABEL H/SP CAUTION	HL-3190CDW		
6	D00KXU001	1	LABEL H/SP CAUTION	HL-L3210CW		
6	D00KXU001	1	LABEL H/SP CAUTION	HL-L3230CDN		
6	D00KXU001	1	LABEL H/SP CAUTION	HL-L3230CDW		
6	D00KXU001	1	LABEL H/SP CAUTION	HL-L3270CDW		
7	D00TWN001	1	LABEL HEAT CAUTION CN	HL-3160CDW		
7	D00TWN001	1	LABEL HEAT CAUTION CN	HL-3190CDW		
7	D00KXV001	1	LABEL HEAT CAUTION US	HL-L3210CW	FOR USA/CAN	
7	D00KXX001	1	LABEL HEAT CAUTION EU1	HL-L3210CW	FOR GER/UK/SWI/ITA/IBERIA/ FRA/BEL/NLD/PND/CEE	
7	D00VU5001	1	LABEL HEAT CAUTION OC1	HL-L3210CW	FOR NZ	
7	D00VU7001	1	LABEL HEAT CAUTION GU	HL-L3210CW	FOR GULF	
7	D00UU8001	1	LABEL HEAT CAUTION BR	HL-L3210CW	FOR BRA	
7	D00TVG001	1	LABEL HEAT CAUTION AS	HL-L3210CW	FOR KOR	
7	D00UU8001	1	LABEL HEAT CAUTION BR	HL-L3230CDN	FOR ARG	
7	D00TVG001	1	LABEL HEAT CAUTION AS	HL-L3230CDN	FOR SGP	
7	D00KXX001	1	LABEL HEAT CAUTION EU1	HL-L3230CDW	FOR GER/UK/SWI/ITA/IBERIA/ FRA/BEL/NLD/PND	
7	D00VU4001	1	LABEL HEAT CAUTION EU2	HL-L3230CDW	FOR RUS	
7	D00KXV001	1	LABEL HEAT CAUTION US	HL-L3230CDW	FOR USA	
7	D00VU6001	1	LABEL HEAT CAUTION OC2	HL-L3230CDW	FOR ARL	
7	D00KXV001	1	LABEL HEAT CAUTION US	HL-L3270CDW	FOR USA/CAN	
7	D00KXX001	1	LABEL HEAT CAUTION EU1	HL-L3270CDW	FOR GER/UK/SWI/ITA/IBERIA/ FRA/BEL/NLD/PND/CEE	
7	D00VU6001	1	LABEL HEAT CAUTION OC2	HL-L3270CDW	FOR ARL	
7	D00TVG001	1	LABEL HEAT CAUTION AS	HL-L3270CDW	FOR PHL/TWN/SGP/IND	
7	D00UU8001	1	LABEL HEAT CAUTION BR	HL-L3270CDW	FOR CHL	
7	D00VU7001	1	LABEL HEAT CAUTION GU	HL-L3270CDW	FOR GULF	
8	D00TWP001	1	LABEL SPRAY CAUTION	HL-3160CDW		
8	D00TWP001	1	LABEL SPRAY CAUTION	HL-3190CDW		
8	D00KXZ001	1	LABEL SPRAY CAUTION	HL-L3210CW		
8	D00KXZ001	1	LABEL SPRAY CAUTION	HL-L3230CDN		
8	D00KXZ001	1	LABEL SPRAY CAUTION	HL-L3230CDW		
8	D00KXZ001	1	LABEL SPRAY CAUTION	HL-L3270CDW		
9	D00KXT001	1	LABEL FRONT JAM			

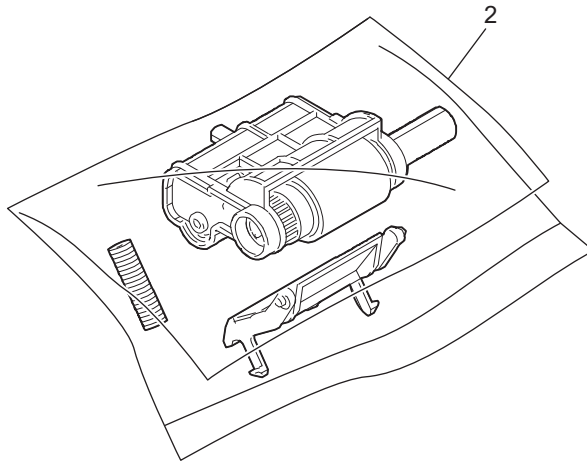
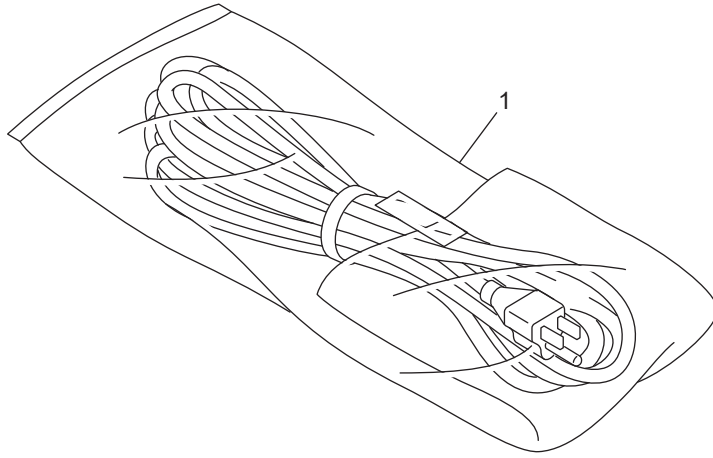
11. PCB



11. PCB

REF NO.	CODE	Q'TY	DESCRIPTION	MODEL	SPEC	REMARKS
1	D0077X009	1	MAIN PCB	HL-3160CDW		
1	D0077Z009	1	MAIN PCB	HL-3190CDW		
1	D00KKS001	1	MAIN PCB	HL-L3210CW	FOR USA/CAN	
1	D00KKS003	1	MAIN PCB	HL-L3210CW	FOR GER/UK/SWI/ITA/IBERIA/ NZ/FRA/BEL/NLD/PND/CEE	
1	D0077Y005	1	MAIN PCB	HL-L3210CW	FOR GULF/BRA/KOR	
1	D0077X005	1	MAIN PCB	HL-L3230CDN		
1	D00KKT003	1	MAIN PCB	HL-L3230CDW	FOR GER/UK/SWI/ITA/IBERIA/ FRA/BEL/NLD/PND	
1	D0077X006	1	MAIN PCB	HL-L3230CDW	FOR RUS	
1	D00KKT001	1	MAIN PCB	HL-L3230CDW	FOR USA	
1	D00KKT004	1	MAIN PCB	HL-L3230CDW	FOR ARL	
1	D00KKU001	1	MAIN PCB	HL-L3270CDW	FOR USA/CAN	
1	D00KKU003	1	MAIN PCB	HL-L3270CDW	FOR GER/UK/SWI/ITA/IBERIA/ FRA/BEL/NLD/PND/CEE	
1	D00KKU004	1	MAIN PCB	HL-L3270CDW	FOR ARL	
1	D0077Z005	1	MAIN PCB	HL-L3270CDW	FOR PHL/TWN/CHL/GULF/SGP/IND	
2	D00K5G001	1	LOW-VOLTAGE POWER SUPPLY PCB 230T	HL-3160CDW		
2	D00K5G001	1	LOW-VOLTAGE POWER SUPPLY PCB 230T	HL-3190CDW		
2	D008DS001	1	LOW-VOLTAGE POWER SUPPLY PCB 115S	HL-L3210CW	FOR USA/CAN	
2	D00CTB001	1	LOW-VOLTAGE POWER SUPPLY PCB 230S	HL-L3210CW	FOR GER/UK/SWI/ITA/IBERIA/ NZ/FRA/BEL/NLD/PND/CEE/GULF/ KOR	
2	D00U2U001	1	LOW-VOLTAGE POWER SUPPLY PCB 127S	HL-L3210CW	FOR BRA	
2	D00CTB001	1	LOW-VOLTAGE POWER SUPPLY PCB 230S	HL-L3230CDN		
2	D00CTB001	1	LOW-VOLTAGE POWER SUPPLY PCB 230S	HL-L3230CDW	FOR GER/UK/SWI/ITA/IBERIA/ FRA/BEL/NLD/PND	
2	D00K5J001	1	LOW-VOLTAGE POWER SUPPLY PCB 230S	HL-L3230CDW	FOR RUS	
2	D008E4001	1	LOW-VOLTAGE POWER SUPPLY PCB 115T	HL-L3230CDW	FOR USA	
2	D00CTD001	1	LOW-VOLTAGE POWER SUPPLY PCB 230T	HL-L3230CDW	FOR ARL	
2	D008E4001	1	LOW-VOLTAGE POWER SUPPLY PCB 115T	HL-L3270CDW	FOR USA/CAN/TWN	
2	D00CTD001	1	LOW-VOLTAGE POWER SUPPLY PCB 230T	HL-L3270CDW	FOR GER/UK/ARL/SWI/ITA/ IBERIA/FRA/BEL/NLD/PND/CEE/ PHL/CHL/GULF/SGP/IND	
3	D00896001	1	HIGH-VOLTAGE POWER SUPPLY PCB			
4	LD1969001	1	WLAN PCB	HL-3160CDW		
4	LD1969001	1	WLAN PCB	HL-3190CDW		
4	LD1969001	1	WLAN PCB	HL-L3210CW		
4	LD1969001	1	WLAN PCB	HL-L3230CDW		
4	LD1969001	1	WLAN PCB	HL-L3270CDW		

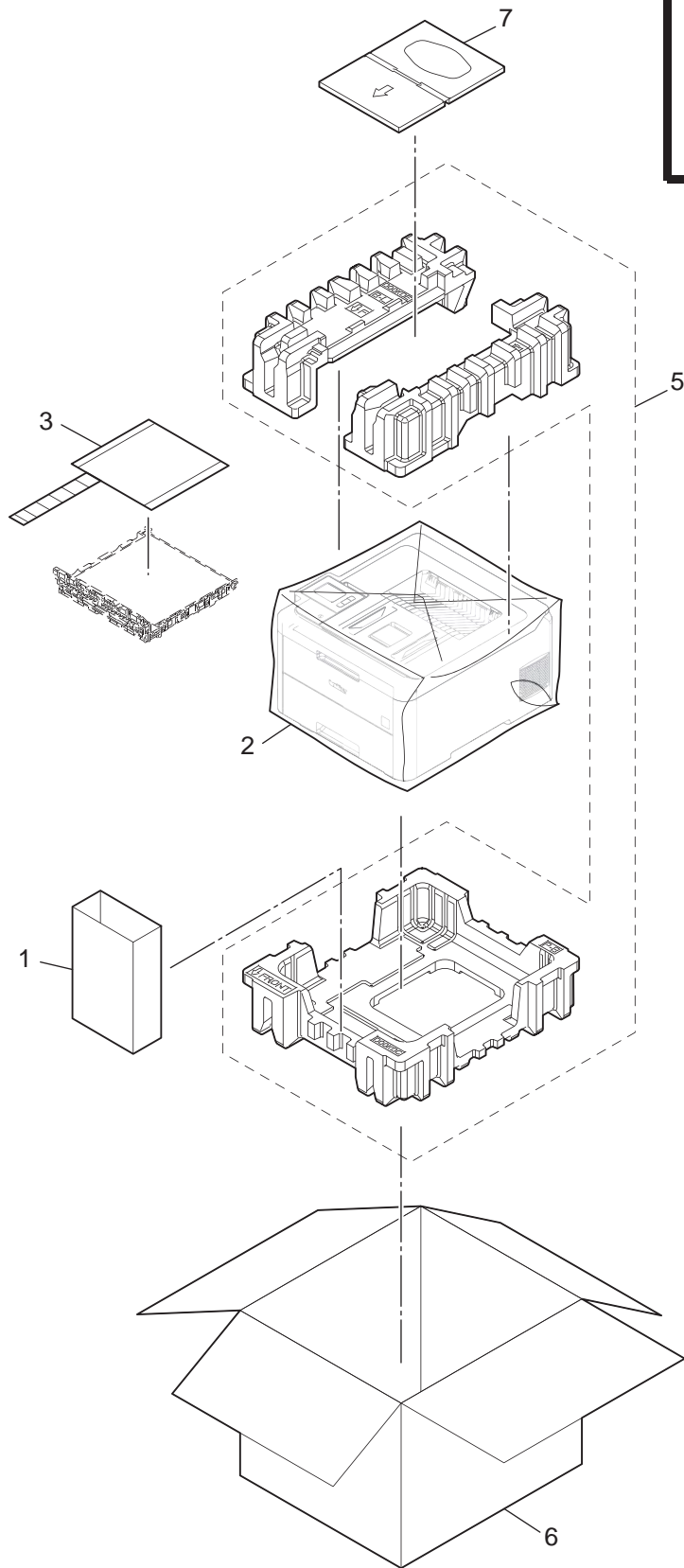
12. OPTION



12. OPTION

REF NO.	CODE	Q'TY	DESCRIPTION	MODEL	SPEC	REMARKS
1	LV1093001	1	AC CORD LF CHN S/BRO	HL-3160CDW		
1	LV1093001	1	AC CORD LF CHN S/BRO	HL-3190CDW		
1	LM9362001	1	AC CORD LF UL/CSA 13A	HL-L3210CW	FOR USA/CAN	
1	LV0364001	1	AC CORD LF VDE S	HL-L3210CW	FOR GER/ITA/IBERIA/FRA/BEL/ NLD/PND/CEE	
1	LV0368001	1	AC CORD LF BS/PSB S	HL-L3210CW	FOR UK	
1	LT2259001	1	AC CORD LF SEV	HL-L3210CW	FOR SWI	
1	LV0366001	1	AC CORD LF SAA S	HL-L3210CW	FOR NZ	
1	LG6404001	1	AC CORD LF SAF	HL-L3210CW	FOR GULF	
1	LV1465001	1	AC CORD LF INMETRO	HL-L3210CW	FOR BRA	
1	LT0935001	1	AC CORD LF KOR S	HL-L3210CW	FOR KOR	
1	LV0368001	1	AC CORD LF BS/PSB S	HL-L3230CDN	FOR SGP	
1	LT0925001	1	AC CORD LF IRAM	HL-L3230CDN	FOR ARG	
1	LV0364001	1	AC CORD LF VDE S	HL-L3230CDN	FOR SGP	
1	LV0364001	1	AC CORD LF VDE S	HL-L3230CDW	FOR GER/ITA/IBERIA/FRA/BEL/ NLD/PND/RUS	
1	LV0368001	1	AC CORD LF BS/PSB S	HL-L3230CDW	FOR UK	
1	LT2259001	1	AC CORD LF SEV	HL-L3230CDW	FOR SWI	
1	LM9362001	1	AC CORD LF UL/CSA 13A	HL-L3230CDW	FOR USA	
1	LV0366001	1	AC CORD BAG ASSY LF SAA S	HL-L3230CDW	FOR ARL	
1	LM9362001	1	AC CORD LF UL/CSA 13A	HL-L3270CDW	FOR USA/CAN	
1	LV0364001	1	AC CORD LF VDE S	HL-L3270CDW	FOR GER/ITA/IBERIA/FRA/BEL/ NLD/PND/CEE/GULF/SGP	
1	LV0368001	1	AC CORD LF BS/PSB S	HL-L3270CDW	FOR UK/GULF/SGP	
1	LV0366001	1	AC CORD LF SAA S	HL-L3270CDW	FOR ARL	
1	LT2259001	1	AC CORD LF SEV	HL-L3270CDW	FOR SWI	
1	LV1381001	1	AC CORD LF PERU V	HL-L3270CDW	FOR PHL/CHL	
1	D012DJ001	1	AC CORD BAG TWN(SP)	HL-L3270CDW	FOR TWN	
1	LG6207001	1	AC CORD LF CHILE	HL-L3270CDW	FOR CHL	
1	LT0613001	1	AC CORD LF IND	HL-L3270CDW	FOR IND	
2	D011XY001	1	PF KIT SP			

13. PACKAGING



DRUM STOPPER

13. PACKAGING

REF NO.	CODE	Q'TY	DESCRIPTION	MODEL	SPEC	REMARKS
1	D00KDH001	1	OPTION CARTON FRONT			
2	LEA183001	1	BAG 900X900			
3	D00KS3001	1	REMOVE SHEET			
4	D010S6001	4	DRUM STOPPER ASSY	HL-3160CDW		
4	D010S6001	4	DRUM STOPPER ASSY	HL-3190CDW		
4	D00KS6001	4	DRUM STOPPER ASSY	HL-L3210CW		
4	D00KS6001	4	DRUM STOPPER ASSY	HL-L3230CDN		
4	D00KS6001	4	DRUM STOPPER ASSY	HL-L3230CDW		
4	D00KS6001	4	DRUM STOPPER ASSY	HL-L3270CDW		
5	D00TPV001	1	PAD ASSY	HL-3160CDW		
5	D00TPV001	1	PAD ASSY	HL-3190CDW		
5	D00KDZ001	1	PAD ASSY	HL-L3210CW		
5	D00KDZ001	1	PAD ASSY	HL-L3230CDN		
5	D00KDZ001	1	PAD ASSY	HL-L3230CDW		
5	D00KDY001	1	PAD ASSY	HL-L3270CDW		
6	D00XVX001	1	CARTON	HL-3160CDW		
6	D00Y72001	1	CARTON	HL-3190CDW		
6	D00P31001	1	CARTON	HL-L3210CW	FOR USA	
6	D00WRE001	1	CARTON	HL-L3210CW	FOR CAN	
6	D00P33001	1	CARTON	HL-L3210CW	FOR GER/UK/SWI/ITA/IBERIA/ FRA/BEL/NLD/PND/CEE	
6	D00XU2001	1	CARTON	HL-L3210CW	FOR NZ	
6	D00XT8001	1	CARTON	HL-L3210CW	FOR GULF/KOR	
6	D00XTR001	1	CARTON	HL-L3210CW	FOR BRA	
6	D00XE001	1	CARTON	HL-L3230CDN	FOR ARG	
6	D00Y0N001	1	CARTON	HL-L3230CDN	FOR SGP	
6	D00WJM001	1	CARTON	HL-L3230CDW	FOR GER/UK/SWI/ITA/IBERIA/ FRA/BEL/NLD/PND/RUS	
6	D00WL7001	1	CARTON	HL-L3230CDW	FOR USA	
6	D00Y0U001	1	CARTON	HL-L3230CDW	FOR ARL	
6	D00P34001	1	CARTON	HL-L3270CDW	FOR USA	
6	D00WW0001	1	CARTON	HL-L3270CDW	FOR CAN	
6	D00WW3001	1	CARTON	HL-L3270CDW	FOR GER/UK/SWI/ITA/IBERIA/ FRA/BEL/NLD/PND/CEE	
6	D00Y6Y001	1	CARTON	HL-L3270CDW	FOR ARL	
6	D00Y7B001	1	CARTON	HL-L3270CDW	FOR PHL/TWN/GULF/SGP/IND	
6	D00Y82001	1	CARTON	HL-L3270CDW	FOR CHL	
7	D00VRF001	1	OPTION CARTON UPPER	HL-3160CDW		
7	D00VRF001	1	OPTION CARTON UPPER	HL-3190CDW		
7	D00KDJ001	1	OPTION CARTON UPPER	HL-L3210CW		
7	D00KDJ001	1	OPTION CARTON UPPER	HL-L3230CDN		
7	D00KDJ001	1	OPTION CARTON UPPER	HL-L3230CDW		
7	D00KDJ001	1	OPTION CARTON UPPER	HL-L3270CDW		