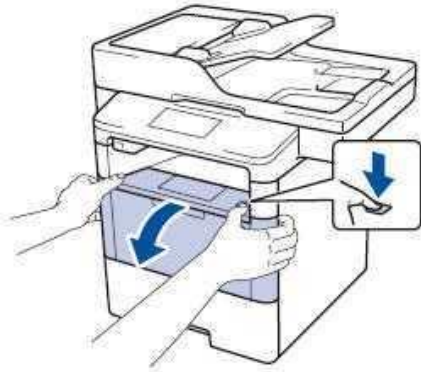


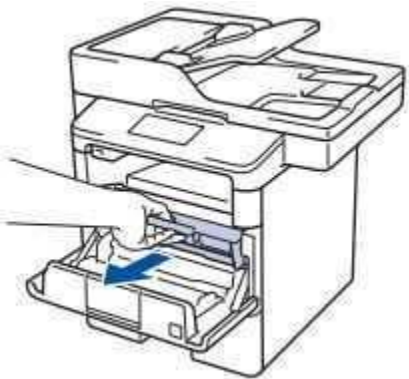
**How to replace or install the drum unit DCPL5500DN DCPL5600DN
DCPL5650DN MFCL5700DW MFCL5800DW MFCL5850DW
MFCL5900DW MFCL6700DW MFCL6750DW MFCL6800DW
MFCL6900DW**

After install the drum unit, you need to reset the printer, please check page 3.

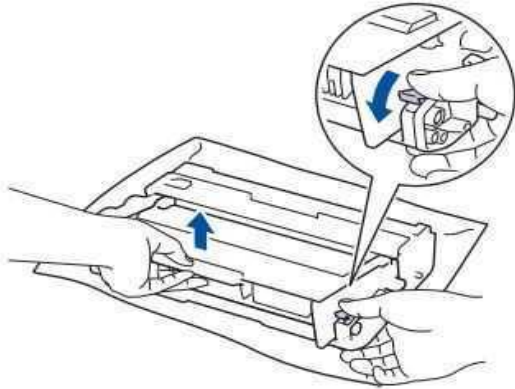
1. Make sure the machine is turned on and open the front cover.



2. Remove the toner and drum assembly from the machine.

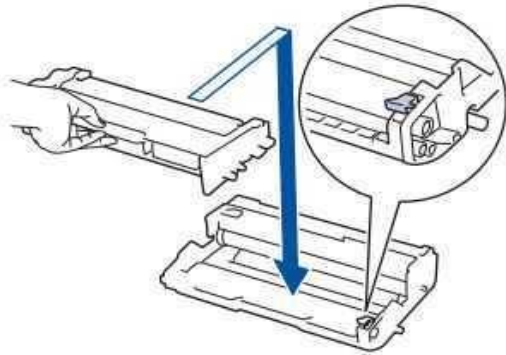


3. Push down the green lock lever and take the toner out of the drum.



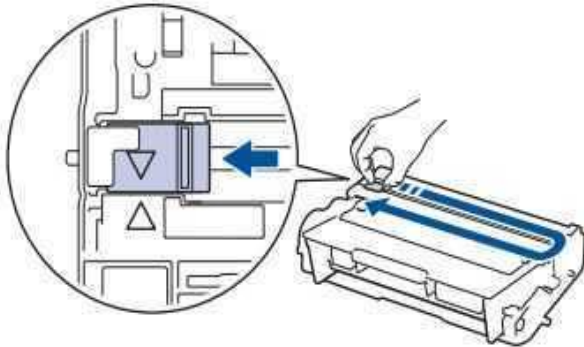
4. Unpack the new drum unit.

5. Insert the toner in the drum.



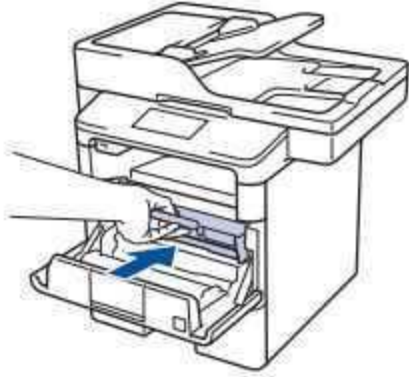
Make sure you put the toner cartridge in correctly or it may separate from the drum unit.

6. Slide the green tab from left to right several times to clean the corona wire.



Be sure to return the tab to the Home position. If it isn't returned to the Home position, printed pages may have a vertical stripe.

7. Install the drum and toner assembly in the machine. Close the front cover.



8. Press **Settings** on the Touchscreen.

9. Press **All Settings**.

10. Press **Machine Info**.

11. Press ▲ or ▼ to display **Parts Life**. Press **Parts Life**.

12. Press and hold **Drum**.

13. Press **Yes**.



14. Press **Home** to exit the menu.