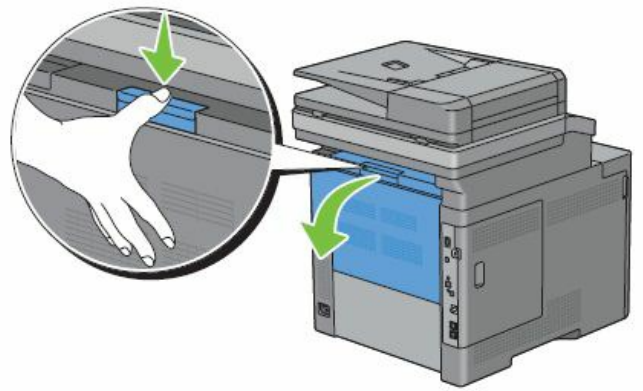


Replacing the Fuser Unit on a C3760dn / C3765dnf Dell Laser Printer

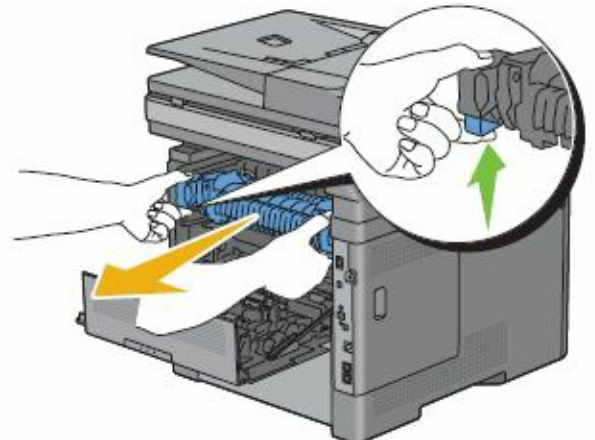
Turn off the printer and wait for 30 minutes.
Push down the latch to open the rear cover.

01



Grasp the grips on both sides of the fusing unit squeezing the lever under the left side grip, and then pull out the unit.

02

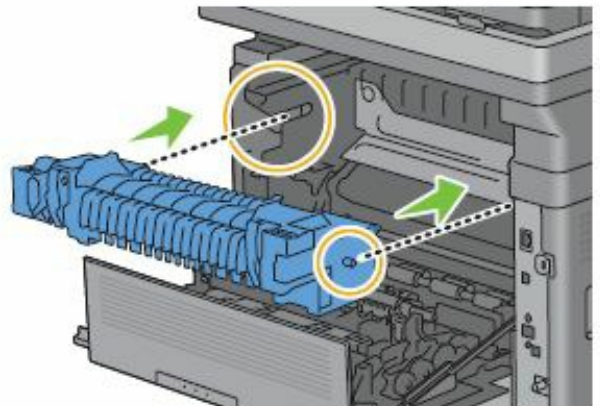


Unpack a new fusing unit.

Make sure that the two tabs of the fusing unit align with the grooves on the printer, and then insert it into the printer until it clicks.

Close the rear cover.

03



After replacing the Fuser Unit Unit you are required to Initialize the Life Counter of both of these units

Initialize the Fuser Unit

Press the Menu key.

Press the Down Arrow until Admin Settings is displayed and press the Tic button.

Press the Down Arrow until Maintenance is displayed and press the Tic button.

Press the Down Arrow until Initialize Print is displayed and press the Tic button.

Press the Down Arrow until Start is displayed and press the Tic button.

Press the Down Arrow until Reset Fusing Unit is displayed and press the Tic button.

Press the Down Arrow until Start is displayed and press the Tic button to Reset the Counter.

04