

Replace drum unit for Brother MFC-L8900CDW MFCL8610CDW

You must reset the Drum unit counter each time you replace the Drum unit with a new one . Please check page 4.

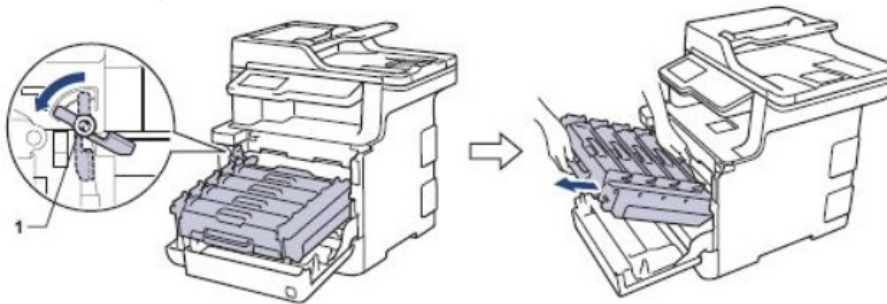
1. Make sure the machine is powered on. Press the front cover release button and pull open the front cover.



2. Hold the drum unit's green handle. Pull the drum unit out of the machine until it stops.



3. Turn the green lock lever (1) counterclockwise until it locks in the release position. Holding the green handles of the drum unit, lift the front of the drum unit and remove it from the machine.

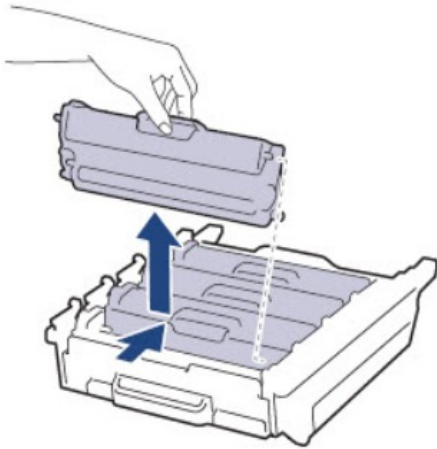


- If you cannot pull the drum unit out, make sure that the front cover is fully open.

- Hold the blue handles of the drum unit when you carry it, do not hold the sides of the drum unit.

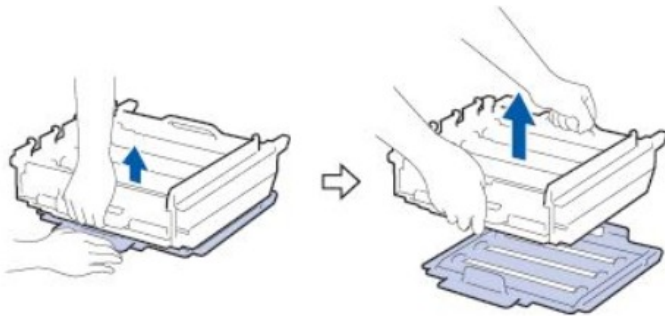
- We recommend that you place the drum on a clean, flat surface with a sheet of disposable paper or cloth underneath it in case you accidentally spill or scatter toner.

4. Hold the handle of the toner cartridge and gently push it away from you to unlock it. Pull it up and out of the drum unit. Repeat this for all toner cartridges.



✎ We recommend you place the toner cartridge(s) on a clean, flat surface with a piece of paper underneath it in case you accidentally spill or scatter toner.

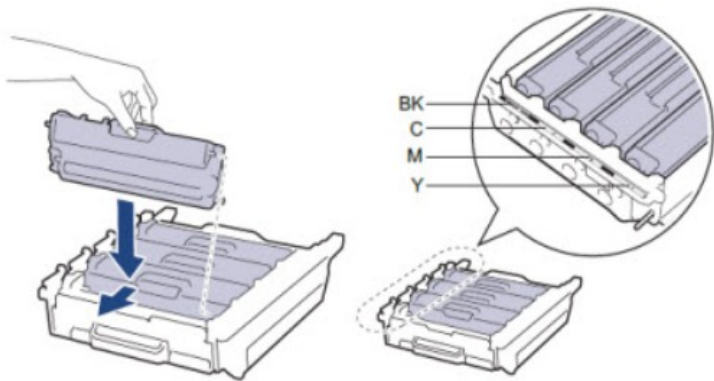
5. Unpack the new drum and remove the protective cover.



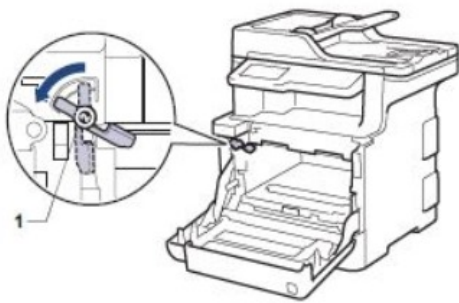
- DO NOT touch the surface of the drum unit. If you touch it, it could degrade the print quality.

- Damage caused by incorrect handling of the drum unit may void your warranty.

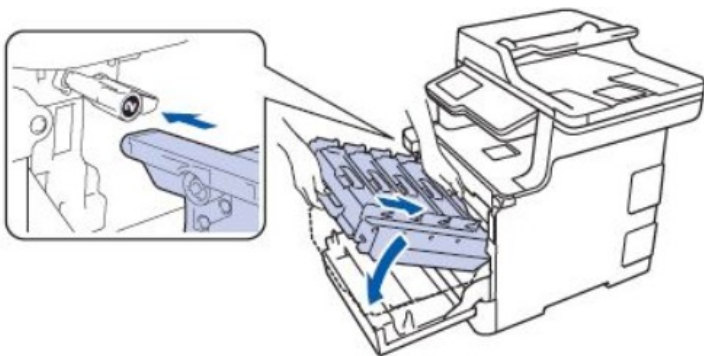
6. Reinsert the toner cartridge into the new drum unit and gently pull it toward you until you hear it lock into place. Make sure that you match the toner cartridge color to the same color label on the drum unit. Repeat this for all toner cartridges.



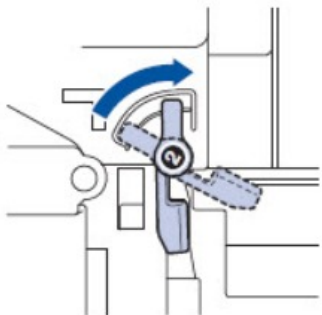
7. Make sure the green lock lever is in the release position.



8. Gently slide the drum unit into the machine until it stops at the green lock lever.



9. Turn the green lock lever clockwise to the lock position.




10. Push the drum unit in until it stops.



11. Close the front cover of the machine.

12. When you replace the drum unit with a new one, you need to reset drum unit counter by completing steps below:

a. On the Touchscreen, press .


b. Press **All Settings**.

c. Press **Machine Information**.

d. Press **Parts Life**.

e. Press and hold **Drum** until the Touchscreen message changes.

f. Press **Yes**.

g. Press .