

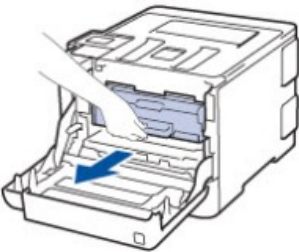
Replace Drum Unit (DR431CL) Brother HLL8260CDW

You must reset the Drum unit counter each time you replace the Drum unit with a new one . Please check page 4.

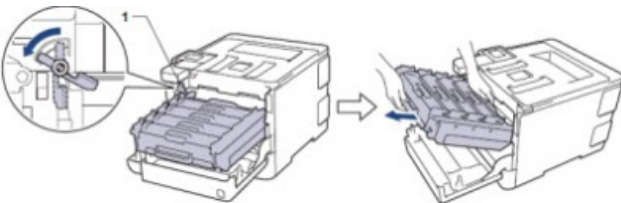
1. Make sure the machine is powered on. Press the front cover release button and pull open the front cover.



2. Hold the **drum** unit's green handle and pull the **drum** out of the machine until it stops.



3. Turn the green lock lever (1) counterclockwise until it locks in the release position. Holding the green handles of the **drum** unit, lift the front of the **drum** unit and remove it from the machine.

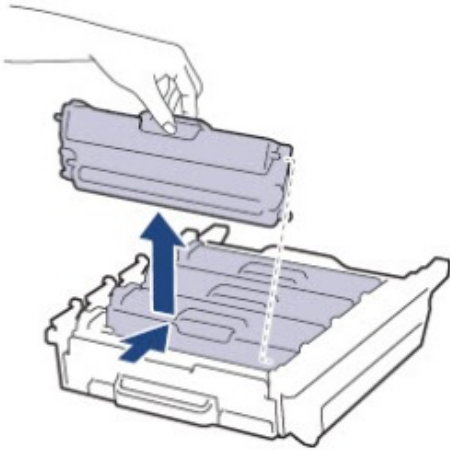


- If you cannot pull the **drum** unit out, make sure that the front cover is fully open.

- Hold the blue handles of the **drum** unit when you carry it, do not hold the sides of the **drum** unit.

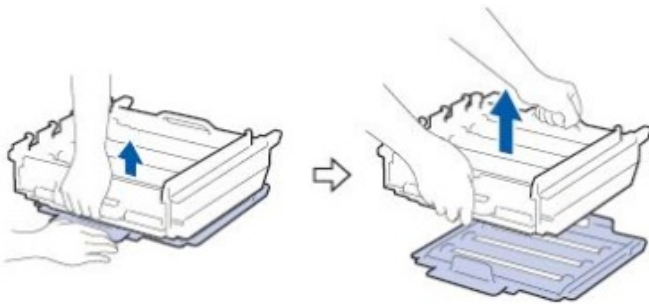
- We recommend that you place the **drum** on a clean, flat surface with a sheet of disposable paper or cloth underneath it in case you accidentally spill or scatter toner.

4. Hold the handle of the toner cartridge and gently push it away from you to unlock it. Pull it up and out of the **drum** unit. Repeat for all toner cartridges.



✎ We recommend you place the toner cartridge(s) on a clean, flat surface with a piece of paper underneath it in case you accidentally spill or scatter toner.

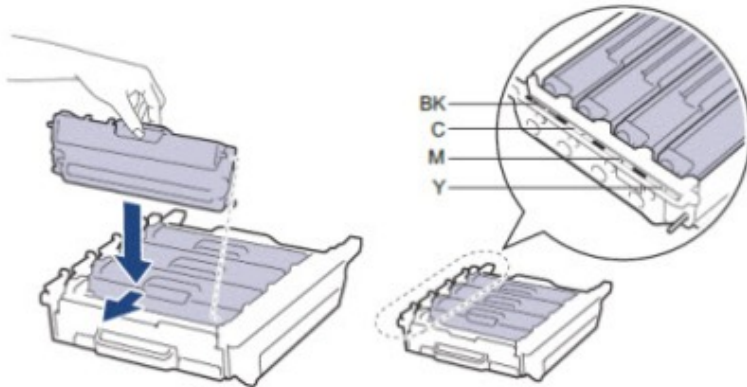
5. Unpack the new **drum** and remove the protective cover.



*- DO NOT touch the surface of the **drum** unit. If you touch it, it could degrade the print quality.*

*- Damage caused by incorrect handling of the **drum** unit may void your warranty.*

6. Insert the toner cartridge into the **drum** unit and gently pull it toward you until you hear it lock into place. Make sure that you match the toner cartridge color to the same label on the **drum** unit. Repeat for all toner cartridges.



BK: black

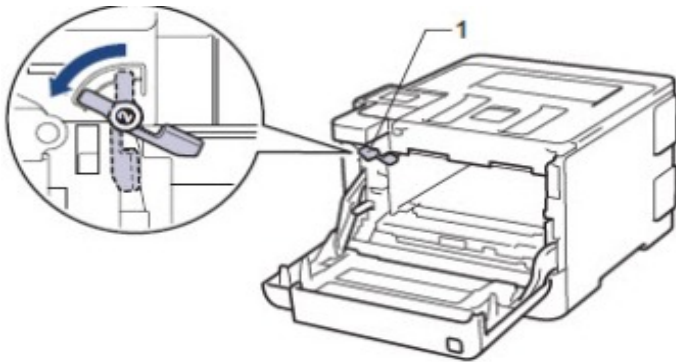
C: cyan

M: magenta

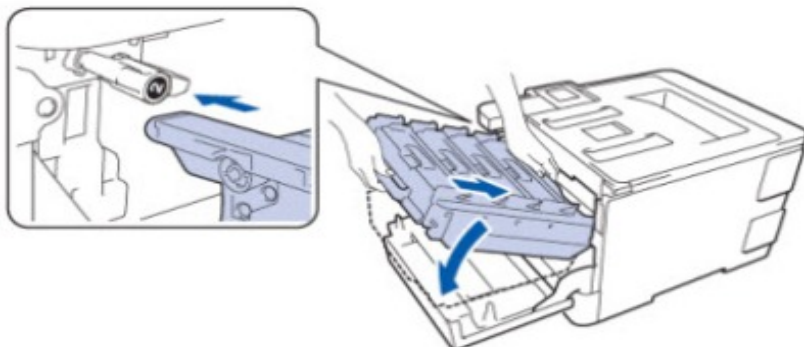
Y: yellow

*Make sure you put the toner cartridge in correctly or it may separate from the **drum** unit.*

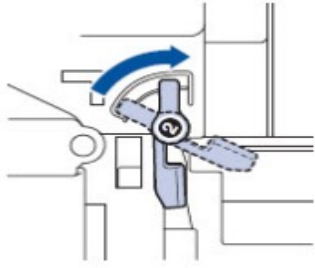
7. Make sure the green lock lever is in the release position.



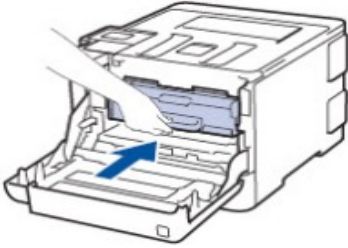
8. Gently slide the **drum** unit into the machine until it stops at the green lock lever.



9. Turn the green lock lever clockwise to the lock position.



10. Push the **drum** unit in until it stops.



11. Close the front cover of the machine.

12. When you replace the **drum** unit with a new one, you need to reset **drum** unit counter by completing steps below:

a. Press ▲ or ▼ to select **Machine Info.**, then press **OK**.

b. Press ▲ or ▼ to select **Parts Life**, then press **OK**.

c. Press ▲ or ▼ to select **Drum**, then press **OK**.

d. Press and hold **OK** for about five (5) seconds.

e. Press ▲ to select **Reset**.