

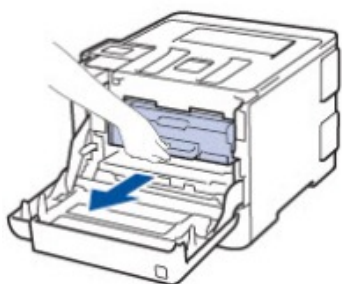
# Replace BU330CL Transfer belt Unit for HLL8260CDW

You must reset the belt unit counter each time you replace the belt unit with a new one . Please check page 3.

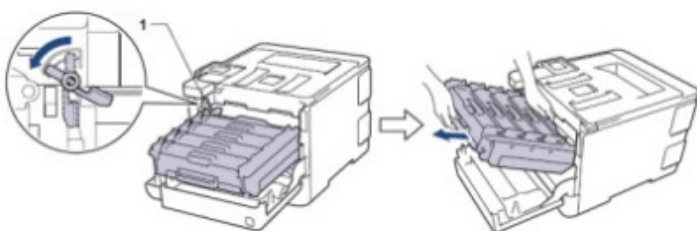
1. Press the front cover release button and pull open the front cover.



2. Hold the drum unit's green handle and pull the drum out of the machine until it stops.



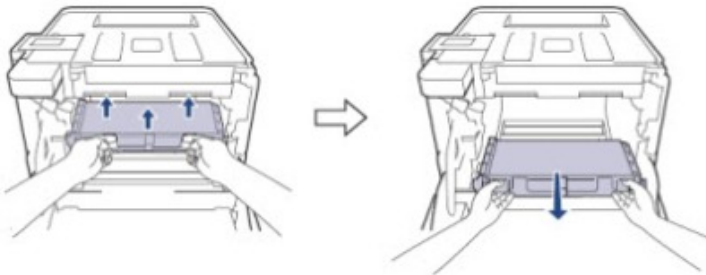
3. Turn the green lock lever (1) counterclockwise until it locks in the release position. Holding the green handles of the drum unit, lift the front of the drum unit and remove it from the machine.



*- Hold the green handles of the drum unit when you carry it, do not hold the sides of the drum unit.*

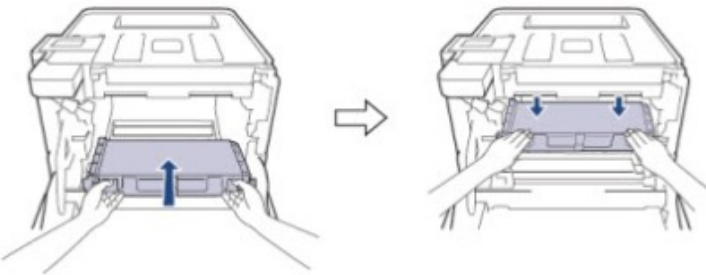
*- We recommend that you place the drum on a clean, flat surface with a sheet of disposable paper or cloth underneath it in case you accidentally spill or scatter toner.*

4. Hold the green handle of the belt unit with both hands and lift the belt unit up, then pull it out.

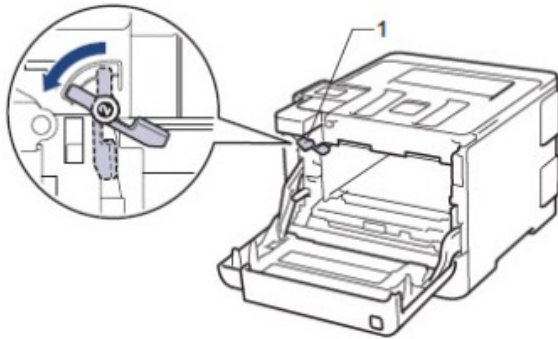


*To avoid print quality problems, do not touch the belt unit surface.*

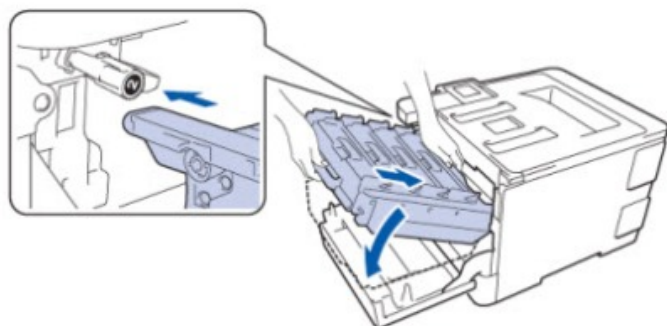
5. Unpack the new belt unit. Install the belt unit in the machine. Make sure the belt unit is level and fits firmly into place.



6. Make sure the green lock lever is in the release position as shown below.



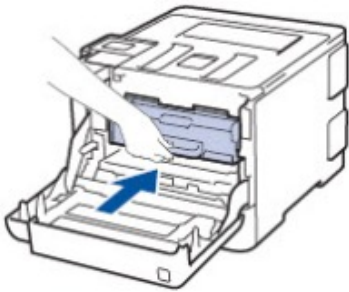
7. Gently slide the drum unit into the machine until it stops at the green lock lever.



8. Turn the green lock lever clockwise to the lock position.



9. Push the drum unit in until it stops.



10. Close the front cover of the machine.

11. Reset the belt unit counter:

*✍ You must reset the belt unit counter each time you replace the belt unit with a new one.*

a. Press ▲ or ▼ to display **Machine Info.**, then press **OK**.

b. Press ▲ or ▼ to display **Parts Life**, then press **OK**.

c. Press ▲ or ▼ to display **Belt**, then press **OK**.

d. Press and hold **OK** for about five (5) seconds.

e. Press ▲ to select **Reset**.